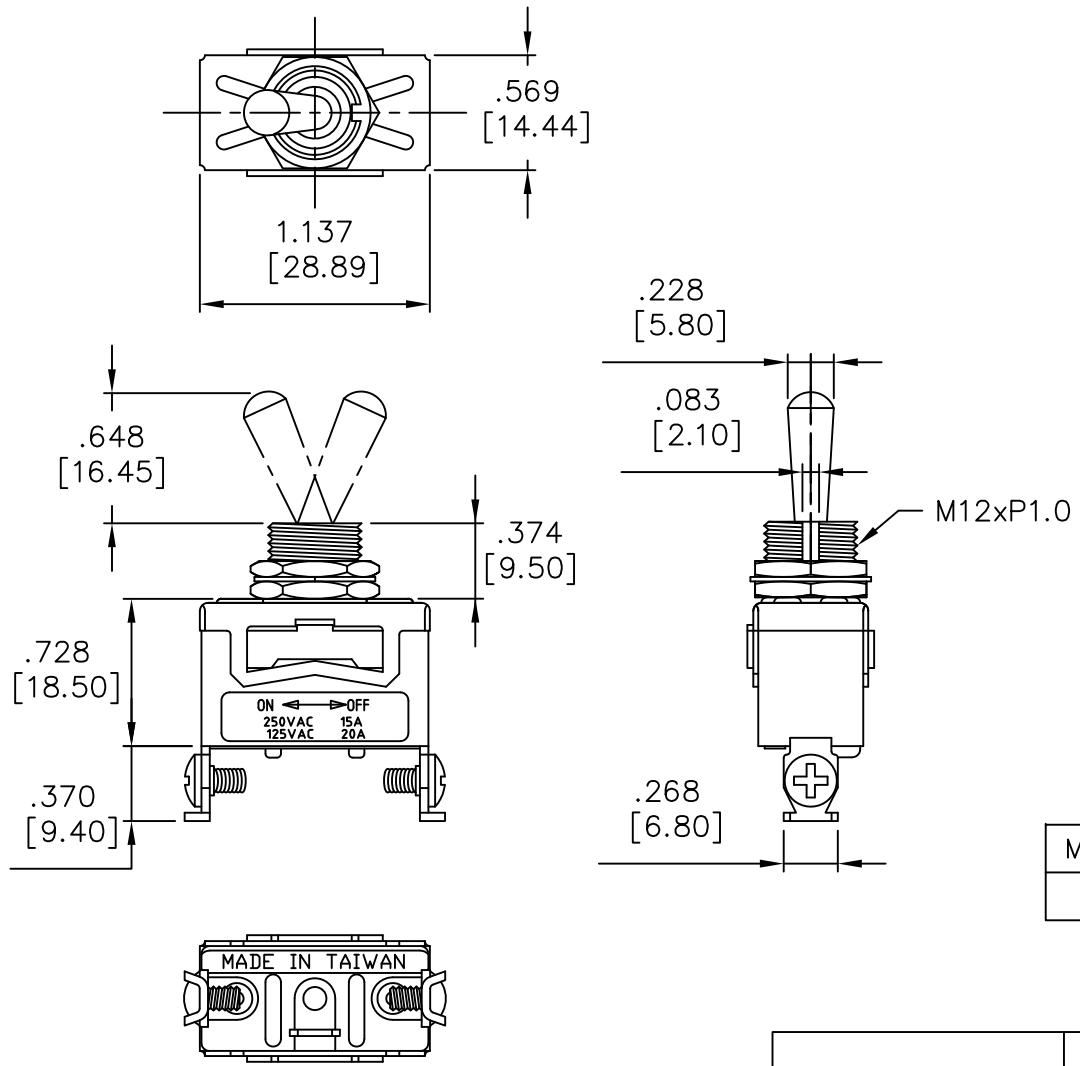


REV. 更改	DESCRIPTION 說明	ENG. 修改人	APPROVE 審核



MODEL NO.	Switch Function		
2P-1	ON	NONE	OFF

SPECIFICATION:

- 1.RATING:10A 250VAC, 15A 125VAC.
- 2.INSULATION RESISTANCE:DC 500V 200MΩ OR MORE.
- 3.CONTACT RESISTANCE:DC 2-4V 1A 20mΩ OR LESS.
- 4.WITHSTAND VOLTAGE:AC 1,500V OR MORE.
- 5.TOLERANCE:±0.30mm

ITEM NO. 料號	L7-2P1-A3-B2-H2-15A-P
----------------	-----------------------

UNLESS OTHERWISE SPECIFIED DIMENSIONS ARE IN MILLIMETERS ANGULAR TOLERANCE: ±1.0°	USED ??	L7	APPD. ??	Amy 2011/08/01	
	FINISH ??		CHKD. 校對	Amy 2011/08/01	
	SCALE ??	2 / 1	UNIT ??	in(mm)	
			DR. ??	Amy 2011/08/01	
MATERIAL		TITLE ??			POWER TOGGLE SWITCH
		DWG NO. ??		L7-2P1-A3-B2-H2-15A-P	
		FILE NAME ????		L7-2P1-A3-B2-H2-15A.dwg	SHEET 1 / 1
				REV. ??	1